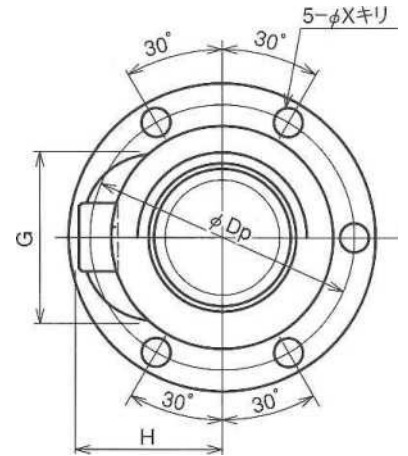
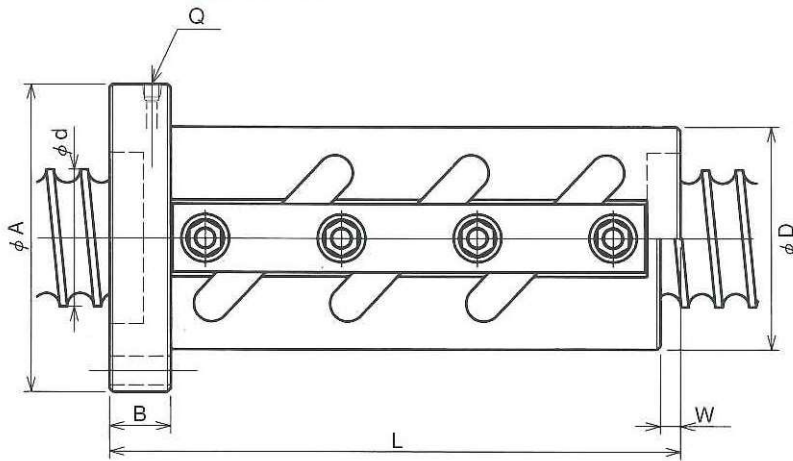


OGIC

HIGH LOAD BALL SCREW

BSPSERIES

高負荷ボールねじ BSP シリーズ



型式 Type	ねじ呼び径 Nominal diameter of screw d mm	リード Lead ℓ mm	有効巻数 Total effective turns		基本定格荷重 Basic load rating			
			記号 Symbol	巻数 X 回路数 Turns X Circuits nt nc	動定格 Dynamic load Ca N		静定格 Static load Coa N	
BSP5010-FTP3	50	10	B3	2.5 X 3	142,000		451,000	
BSP5010-FTPC3	50	10	C3	3.5 X 3	190,000		632,000	
BSP5012-FTP3	50	12	B3	2.5 X 3	163,000		503,000	
BSP5012-FTPC3	50	12	C3	3.5 X 3	218,000		705,000	
BSP5014-FTP3	50	14	B3	2.5 X 3	208,000		608,000	
BSP5016-FTP3	50	16	B3	2.5 X 3	297,000		817,000	
BSP6312-FTP3	63	12	B3	2.5 X 3	182,000		631,000	
BSP6312-FTPC3	63	12	C3	3.5 X 3	243,000		884,000	
BSP6314-FTP3	63	14	B3	2.5 X 3	232,000		760,000	
BSP6314-FTPC3	63	14	C3	3.5 X 3	310,000		1,065,000	
BSP6316-FTP3	63	16	B3	2.5 X 3	338,000		1,019,000	
BSP6316-FTPC3	63	16	C3	3.5 X 3	452,000		1,426,000	
BSP6320-FTP3	63	20	B3	2.5 X 3	447,000		1,287,000	
BSP8014-FTPC3	80	14	C3	3.5 X 3	331,000		1,342,000	
BSP8016-FTP3	80	16	B3	2.5 X 3	381,000		1,283,000	
BSP8016-FTPC3	80	16	C3	3.5 X 3	508,000		1,796,000	
BSP8020-FTP3	80	20	B3	2.5 X 3	509,000		1,612,000	
BSP8020-FTPC3	80	20	C3	3.5 X 3	680,000		2,257,000	
BSP8025-FTP3	80	25	B3	2.5 X 3	640,000		1,953,000	
BSP10016-FTP3	100	16	B3	2.5 X 3	422,000		1,598,000	
BSP10016-FTPC3	100	16	C3	3.5 X 3	563,000		2,237,000	
BSP10020-FTP3	100	20	B3	2.5 X 3	569,000		2,005,000	
BSP10020-FTPC3	100	20	C3	3.5 X 3	760,000		2,807,000	
BSP10025-FTP3	100	25	B3	2.5 X 3	723,000		2,420,000	
BSP10025-FTPC3	100	25	C3	3.5 X 3	965,000		3,388,000	
BSP12516-FTP3	125	16	B3	2.5 X 3	463,000		1,988,000	
BSP12516-FTPC3	125	16	C3	3.5 X 3	619,000		2,783,000	
BSP12520-FTP3	125	20	B3	2.5 X 3	629,000		2,487,000	
BSP12520-FTPC3	125	20	C3	3.5 X 3	840,000		3,481,000	
BSP12525-FTP3	125	25	B3	2.5 X 3	805,000		3,001,000	
BSP12525-FTPC3	125	25	C3	3.5 X 3	1,075,000		4,201,000	
BSP14020-FTPC3	140	20	C3	3.5 X 3	883,000		3,894,000	
BSP14025-FTPC3	140	25	C3	3.5 X 3	1,133,000		4,696,000	

1. 精 度

精度等級は JIS B1192 の C5、C7、軸方向すきまは 0.020mm 以下、0.050mm 以下が標準となっています。

2. 許容回転数

BSP シリーズにおいて、 $d \cdot N$ 値(ねじ呼び径 d x 最高回転数 N)で 70000~100000 での使用が可能です。

3. ワイパー

中心線より上半分がワイパー付き、下半分がワイパーなしの形状を示します。

4. 寸法表以外の形状、呼び径 140mm~250mm の大径品についても **OGIC** にご相談ください。

呼び寸法の一例 **BSP8020 - FTPC3 - 1200 - 600 - C7**
 (型式) (全長)(ねじ長さ)(精度)

1. Precision Precision grades come under C5, C7 and axial clearance is controlled under 0.020 mm, 0.050 mm.
2. Permissible number of revolution
 In BSP series, we make possible 70,000—100,000 in d-N value.
 (d indicates nominal diameter of screw and N indicates maximum revolution)
3. Wiper In drawing, upper half part shows the shape with wiper, and under half part with non wiper.
4. In case of other dimensions or nominal diameter over 140 mm, please consult with **OGIC**

ナットの寸法 mm										
ナット外径 Outside dia of nut D	フランジ Flange		ナット長さ Length of nut		取付穴 Mounting hole		チューブ取付部 Return tube		油穴 Oil hole Q	型式 Type
	外径 A	厚さ B	L	W	P・C・D Dp	穴径 X	幅 G	高さ H		
76	110	18	143	7	93	9	59	49.5	Rc1/8	BSP5010-FTPB3
76	110	18	173	7	93	9	59	49.5	Rc1/8	BSP5010-FTPC3
77	111	22	171	8	94	9	60	52	Rc1/8	BSP5012-FTPB3
77	111	22	207	8	94	9	60	52	Rc1/8	BSP5012-FTPC3
81	115	28	201	10	98	9	62	55	Rc1/8	BSP5014-FTPB3
95	130	28	223	10	112	9	67	67	Rc1/8	BSP5016-FTPB3
93	127	22	171	8	110	9	72	58.5	Rc1/8	BSP6312-FTPB3
93	127	22	207	8	110	9	72	58.5	Rc1/8	BSP6312-FTPC3
94	128	28	201	10	111	9	74	61	Rc1/8	BSP6314-FTPB3
94	128	28	243	10	111	9	74	61	Rc1/8	BSP6314-FTPC3
105	140	28	223	10	122	9	79	71	Rc1/8	BSP6316-FTPB3
105	140	28	271	10	122	9	79	71	Rc1/8	BSP6316-FTPC3
116	155	32	272	12	136	11	83	82	Rc1/8	BSP6320-FTPB3
116	150	28	243	10	133	9	90	72	Rc1/8	BSP8014-FTPC3
120	155	32	227	10	137	9	94	79	Rc1/8	BSP8016-FTPB3
120	155	32	275	10	137	9	94	79	Rc1/8	BSP8016-FTPC3
130	170	32	272	12	150	11	98	88	Rc1/8	BSP8020-FTPB3
130	170	32	332	12	150	11	98	88	Rc1/8	BSP8020-FTPC3
145	185	40	330	17	165	11	103	100	Rc1/8	BSP8025-FTPB3
145	185	32	227	10	165	11	113	90.5	Rc1/8	BSP10016-FTPB3
145	185	32	275	10	165	11	113	90.5	Rc1/8	BSP10016-FTPC3
150	190	32	272	12	170	11	117	97	Rc1/8	BSP10020-FTPB3
150	190	32	332	12	170	11	117	97	Rc1/8	BSP10020-FTPC3
160	200	40	330	17	180	11	121	106	Rc1/8	BSP10025-FTPB3
160	200	40	405	17	180	11	121	106	Rc1/8	BSP10025-FTPC3
172	212	32	227	10	192	11	135	104	Rc1/8	BSP12516-FTPB3
172	212	32	275	10	192	11	135	104	Rc1/8	BSP12516-FTPC3
178	218	40	280	12	198	11	140	111	Rc1/8	BSP12520-FTPB3
178	218	40	340	12	198	11	140	111	Rc1/8	BSP12520-FTPC3
190	230	40	330	17	210	11	144	121	Rc1/8	BSP12525-FTPB3
190	230	40	405	17	210	11	144	121	Rc1/8	BSP12525-FTPC3
200	250	40	340	12	225	14	153	123	Rc1/8	BSP14020-FTPC3
205	250	40	415	17	226	14	158	128	Rc1/8	BSP14025-FTPC3